

FURY 404



THE PERFECT JETTING TANKWASHER

- Proven In Use
- Low Maintenance
- Low Flat Rates
- Fast Wash Time
- Custom Design
- Years Of Hygienic Service
- Low Service Costs
- Low Effluent Costs
- Reduces Down Time
- 360° & 180° Wash Pattern

VERSATILE & UNIQUE

The Breconcherry FURY 404 is a compact cleaning unit with a unique piston operated mechanism. It produces high impact, long range jets which oscillate through 90° while the tankwasher continually indexes around the central axis. The FURY 404 is powered entirely by the cleaning fluid. Only 5% of the wash drives the mechanism, 95% passes directly to the nozzles, maximising jet impingement. The FURY 404 is ideal where rigorous standards of hygiene and product purity are essential.

APPLICATIONS

The versatile FURY 404 offers 360° and 180° wash patterns for process vessels, storage tanks, and transport containers. FURYS are used extensively in the brewing, distilling, dairy, food, beverage, pharmaceutical, chemical, coatings, nuclear, and transport industries. Lightweight and compact, the FURY 404 can be used on a mobile basis or permanently installed.

OPERATION

Unique among jetting washers, the FURY 404 is driven by a low speed piston. Powered by 5% of the wash fluid this results in less product debris passing through the internal mechanism. With no high speed turbines and complex gear mechanisms, there is minimal wear and servicing. The FURY 404 indexing mechanism provides an evenly spaced wash pattern and the tankwasher nozzles are designed to give effective surface coverage with high impingement. Optimum results are guaranteed.

FURY 404



MAINTENANCE & INSPECTION

The low operating speed of the FURY 404 mechanism ensures minimum wear of the components. Inspection and maintenance are made easier by the open design of the tankwasher. Comprehensive after-sales service includes spare parts, technical support and full repair facilities.

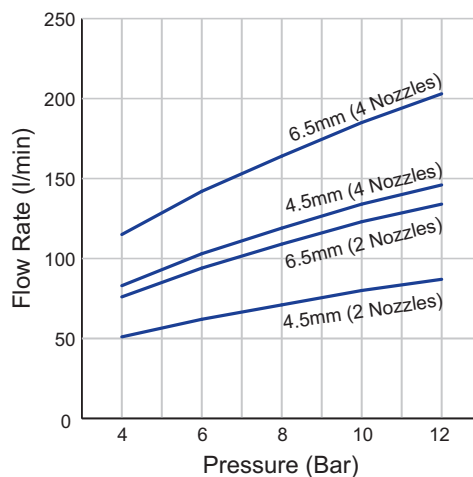
MINIMUM MANHOLE/FLANGE SIZE

The minimum manhole/flange opening size required for unit insertion is 225mm/9". With two nozzle units, the nozzles can be turned vertically to allow the unit to go through a 120mm/5" hole.

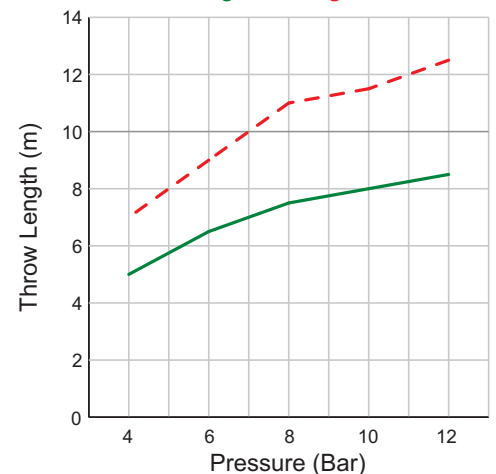
TECHNICAL DATA

Standard Materials:	Stainless Steel 316, CF-PTFE, Nitrile, Other materials available - Please call for details
Max. Operating Temperature:	120° Centigrade (248°F)
Weight:	2.5kg
Nozzle Characteristics:	2 or 4 nozzles 4.5mm or 6.5mm diameter nozzles available 180° or 360° Spray Pattern
Standard Connections:	1" BSP/NPT Female

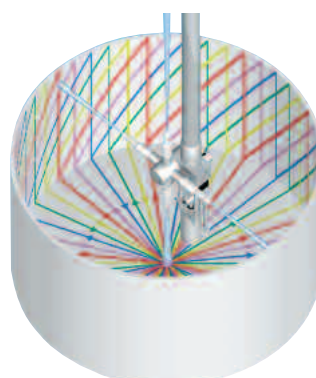
Flow Rate Verses Pressure



Cleaning / Wetting Radius

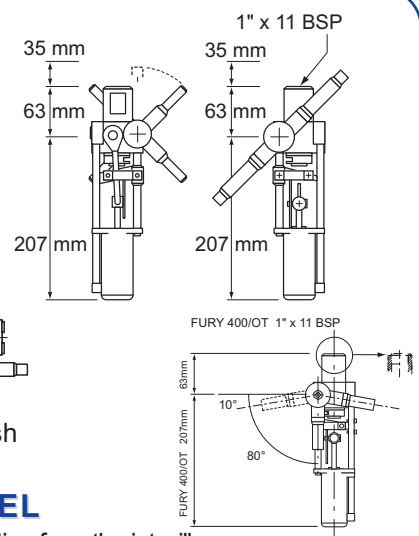
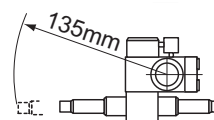


GENERAL ARRANGEMENT DRAWINGS



Key:
Five Rotations at
37.5 degree
increments

- 1st █
- 2nd █
- 3rd █
- 4th █
- 5th █



The FURY's complex lattice pattern ensures complete or total coverage. 360° & 180° wash pattern.

FURY 404 180° OPEN TOP MODEL

Mount the Fury 404 OT rigidly in the tank. The reaction from the jet will move it from side to side. It cannot be suspended on a hose.

For optimal efficiency use a pre-filter or strainer to prevent particulate clogging.